

## Sink Uragano

Kitchen Sinks

Code: 1555 600



### DETAILS

Edge/Installation Type      Standard (8 mm Edge)

---

Finish      Foster brushed

---

Material      AISI 304 stainless steel

---

Texture      Foster brushed

---

Base      100 cm

---

Dimensions      970x500 mm

---

Standard fittings      Fixing hooks, gasket, drain, overflow and siphon, boxed packing

---

Mixer holes      1 standard hole - 2nd hole on request

---

Built-in hole      950x480 mm

---

Drainer No

---

Width 97 cm

---

Bowl dimension 910x440mm

---

Number of bowls 1 bowl

---

Waste fitting 3,5" drain

---

## FEATURES

**Basket 3,5" waste fitting** The drain is equipped with a large 3.5" drain, with the practical basket cap that prevents the discharge of solid parts.

---

**Deep bowls** This bowls reach an important depth, over 20 cm, thanks to the advanced production technology, that can be offer great capiciency and practicity in all the washing operations.

---

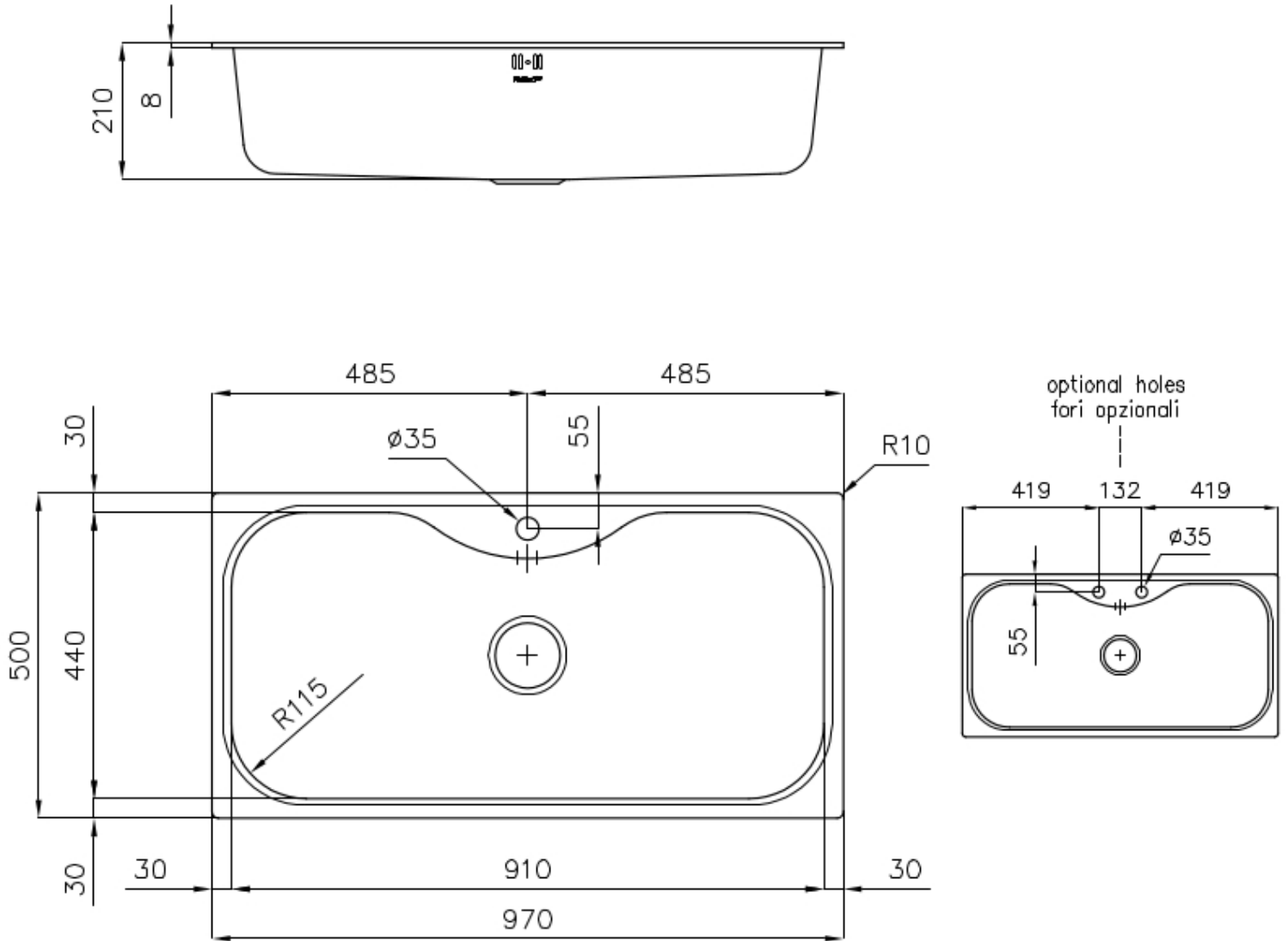
**High thickness** 1mm thick steel. A significant thickness, which guarantees the maximum sturdiness and durability.

---

**Sliding brackets**

---

## TECHNICAL DATA



## GALLERY



## OPTIONAL ACCESSORIES



**Iroko-wood chopping board**  
8659 112



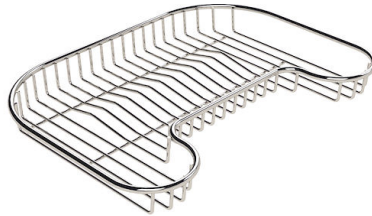
**Iroko-wood twin chopping board**  
8644 003



**Stainless steel bowl-holder ring**  
8100 112



**Stainless steel plate rack**  
8100 154



**Stainless steel plate rack**  
8100 111



**Vaschetta bianca**  
8152 100  
\* only in combination with the accessory  
8100 112



**White colander**  
8151 100

## RECOMMENDED PAIRINGS



**Mixer Tap KS Plus**  
8522 000



**Mixer Tap Magnum**  
8484 000